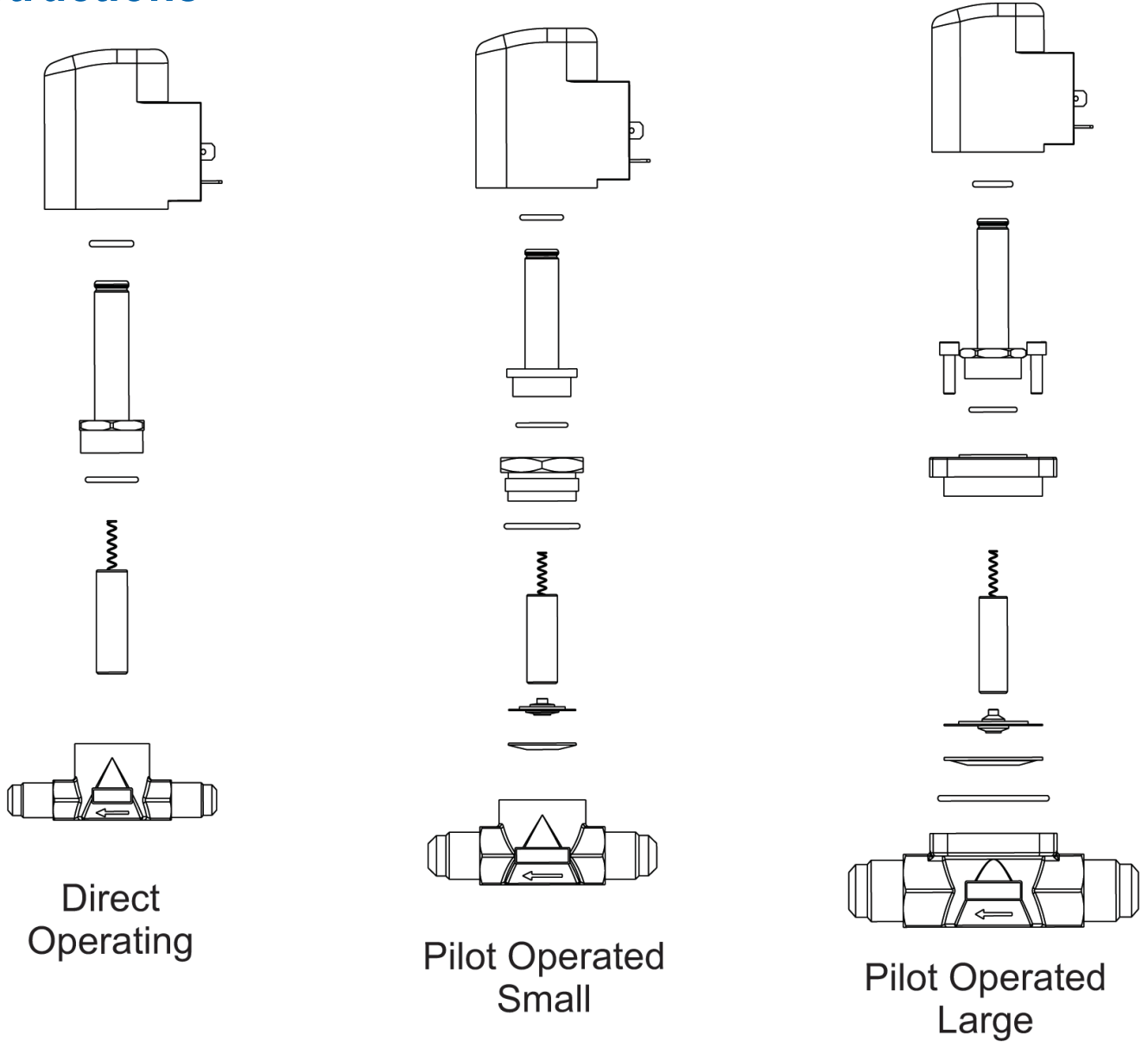
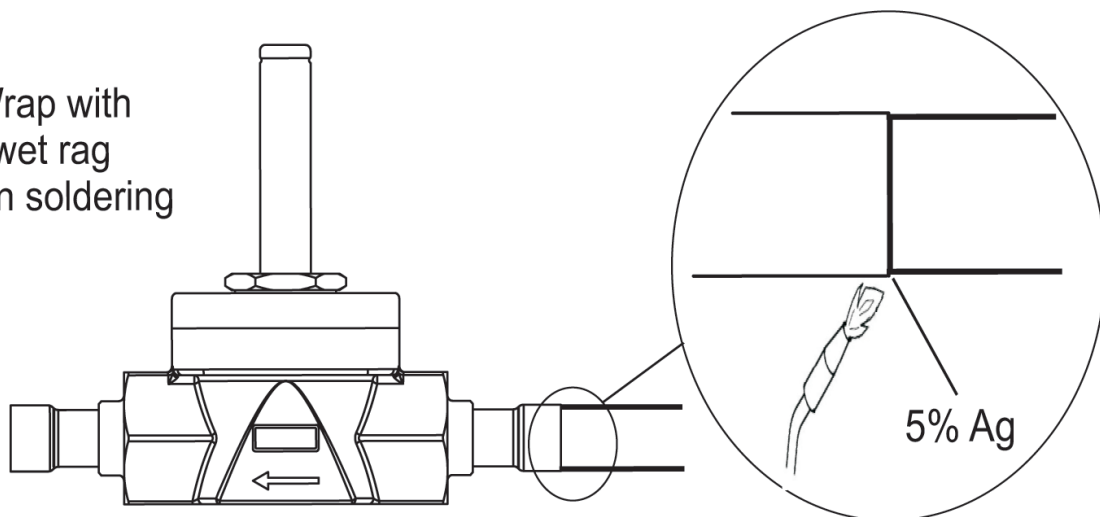
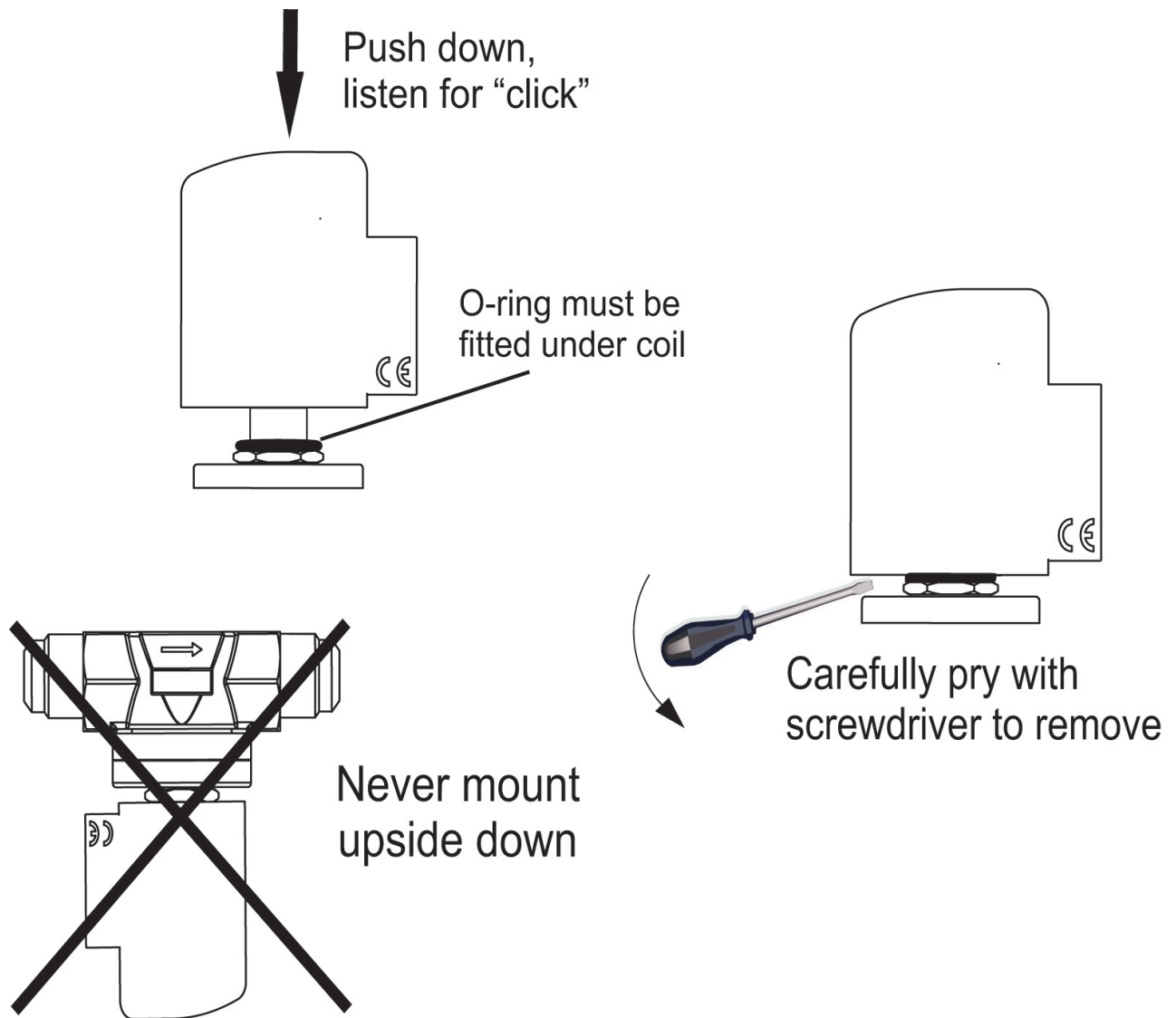


Instructions



Wrap with wet rag when soldering





Before operating valves, please ensure the following;

1. valve is free from dirt and other particles, that can damage o-rings and valve seat
2. valve is mounted in the correct direction, relating to the arrow on valve body
3. o-ring must be fitted beneath coil